

# WASHINGTON COUNTY DIVISION OF PLAN REVIEW & PERMITTING

**TERMINOLOGY:**

- R-VALUE: A COEFFICIENT WHICH MEASURES A MATERIAL'S THERMAL RESISTANCE (THE HIGHER THE BETTER).
- U-FACTOR: A COEFFICIENT WHICH MEASURES A MATERIAL'S ABILITY TO TRANSFER HEAT, APPLIES TO GLAZING ASSEMBLIES (THE LOWER THE BETTER).
- GLAZING: GLASS ASSEMBLIES, SUCH AS WINDOWS, SKYLIGHTS AND GLASS DOORS.
- FENESTRATION: DESIGN AND POSITION OF WINDOWS IN A BUILDING.

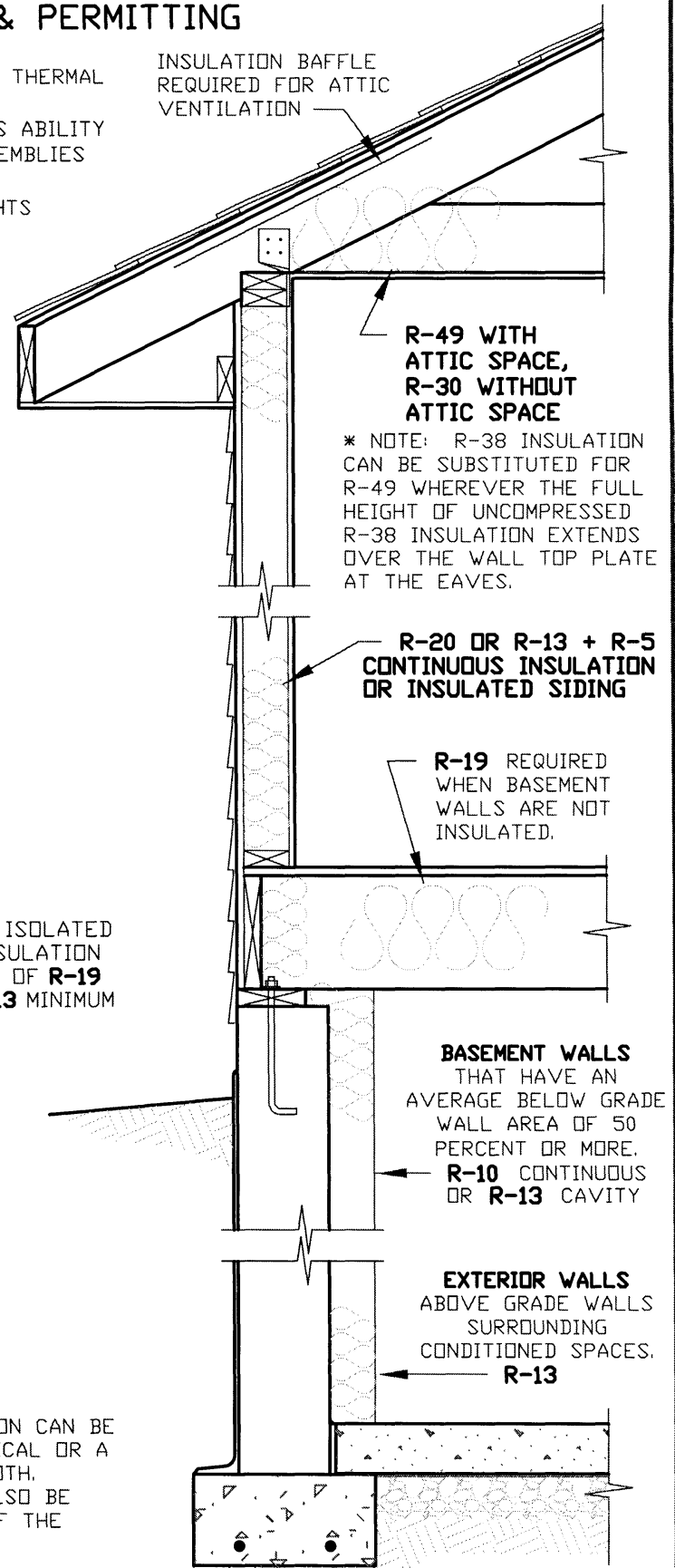
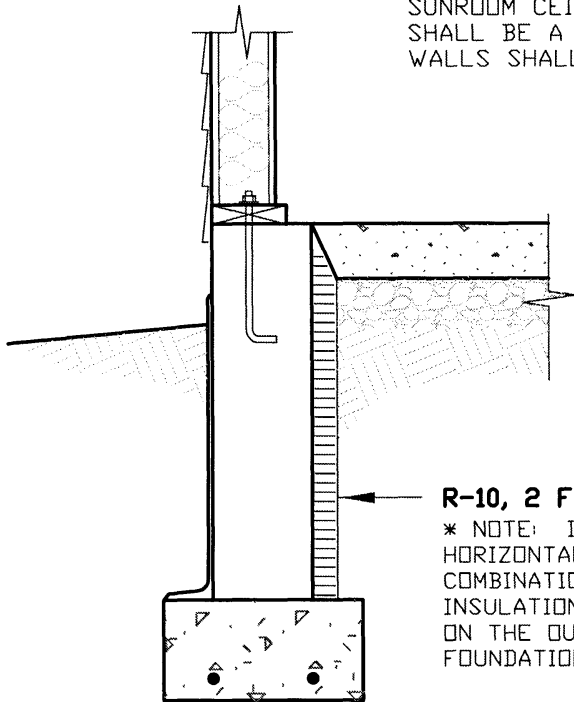
**INSULATION & FENESTRATION REQUIREMENTS BY COMPONENT**

- FENESTRATION
- U-FACTOR - 0.35
- SKYLIGHT
- U-FACTOR - 0.55
- CEILING
- R-VALUE - 49
- WOOD FRAMED WALL
- R-VALUE - 20 OR 13 + 5 CONTINUOUS
- MASS WALL
- R-VALUE - 8/13
- FLOOR
- R-VALUE - 19
- BASEMENT WALL
- R-VALUE - 10/13
- SLAB R-VALUE AND DEPTH
- R-10, 2 FEET
- CRAWL SPACE WALL
- R-VALUE - 10/13

**EQUIVALENT U-FACTORS**

- FENESTRATION
- U-FACTOR - 0.35
- SKYLIGHT
- U-FACTOR - 0.55
- CEILING
- U-FACTOR - 0.026
- FRAMED WALL
- U-FACTOR - 0.057
- MASS WALL
- U-FACTOR - 0.098
- FLOOR
- U-FACTOR - 0.047
- BASEMENT WALL
- U-FACTOR - 0.059
- CRAWL SPACE WALL
- U-FACTOR - 0.065

**\* NOTE:** THERMALLY ISOLATED SUNROOM CEILING INSULATION SHALL BE A MINIMUM OF **R-19** WALLS SHALL BE **R-13** MINIMUM



## RESIDENTIAL INSULATION REQUIREMENTS

BUILDING ENVELOPES THAT ENCLOSE CONDITIONED SPACE SHALL COMPLY WITH THE CURRENT INTERNATIONAL ENERGY CONSERVATION CODE